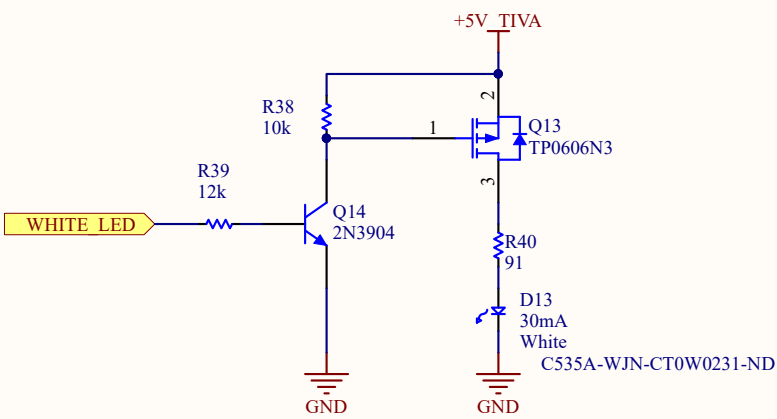
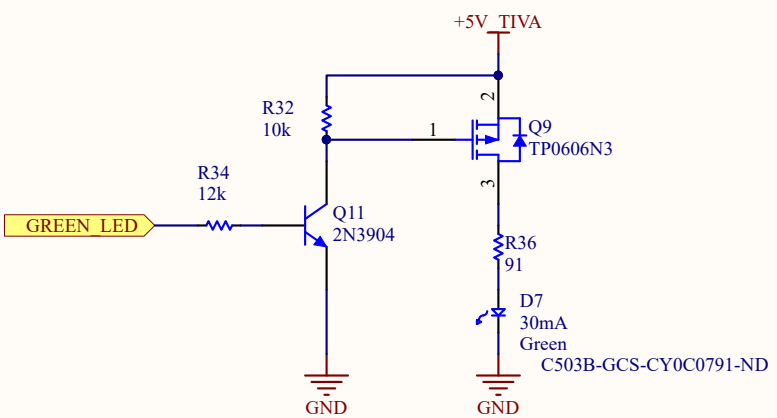
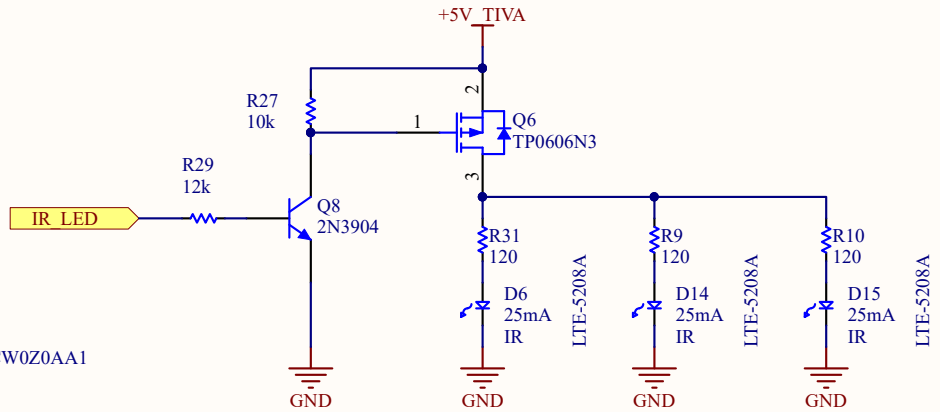
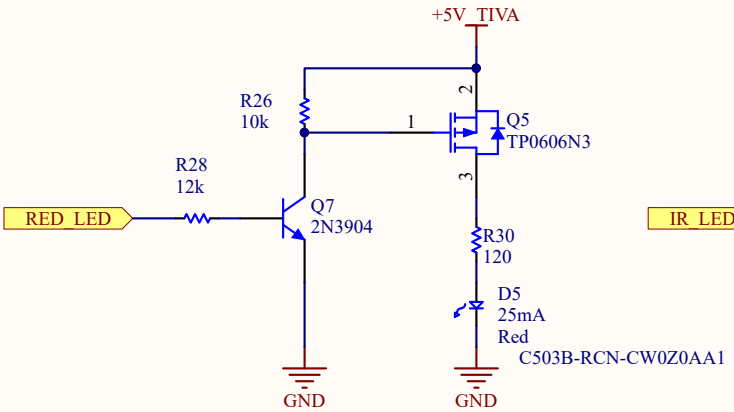
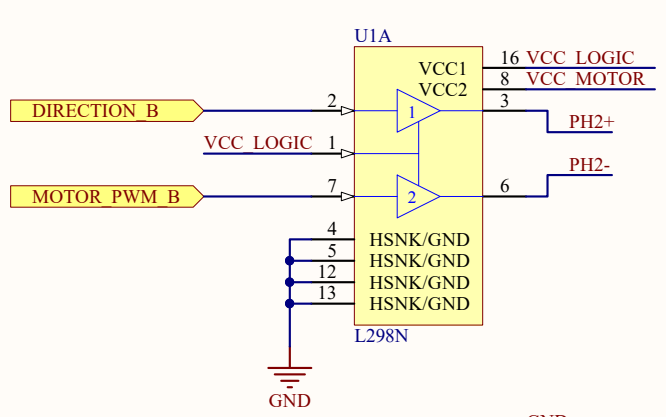
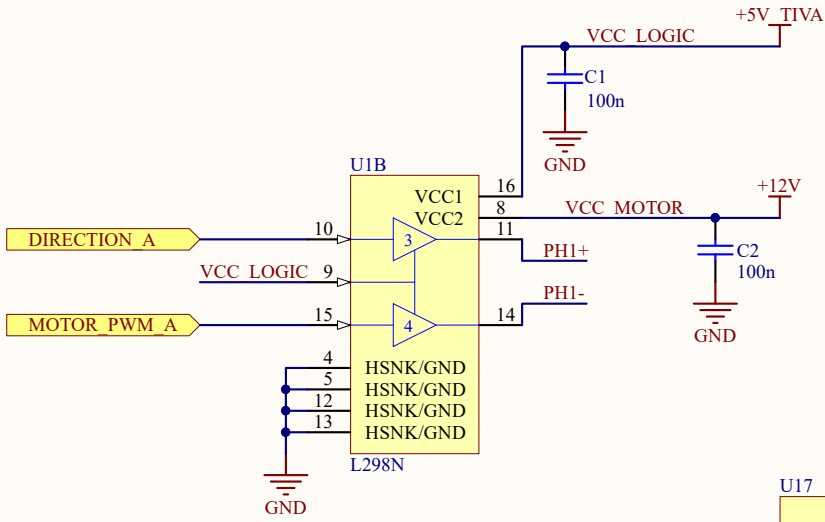


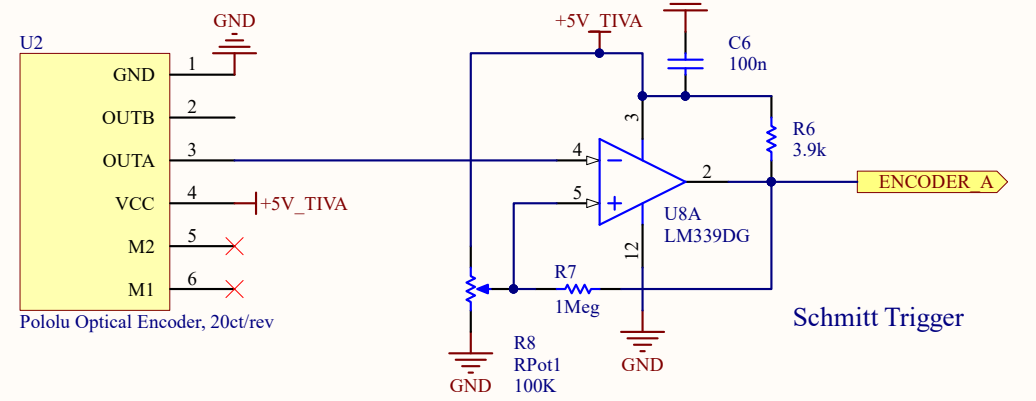
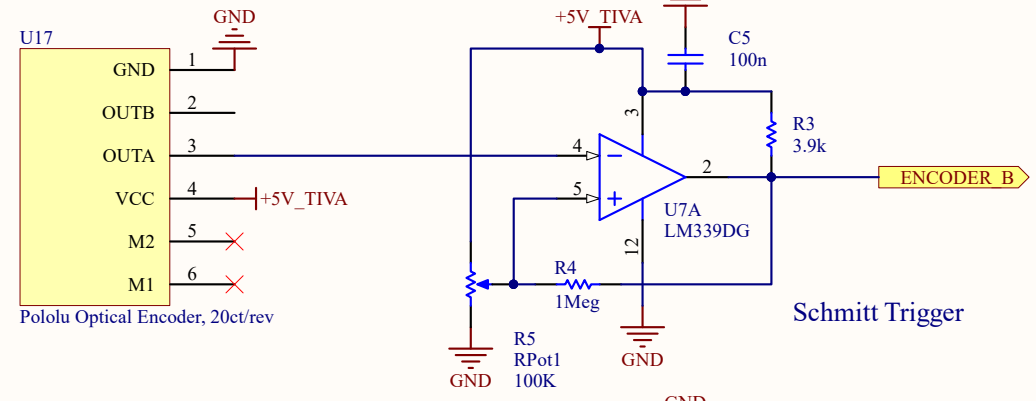
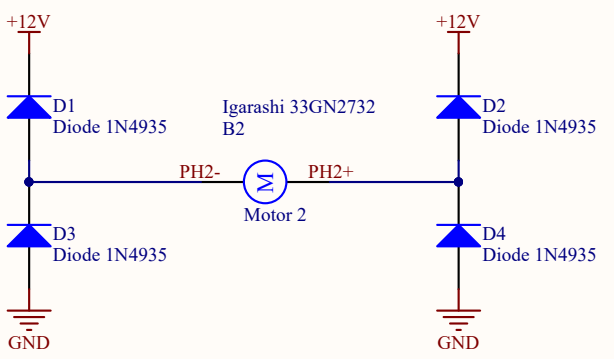
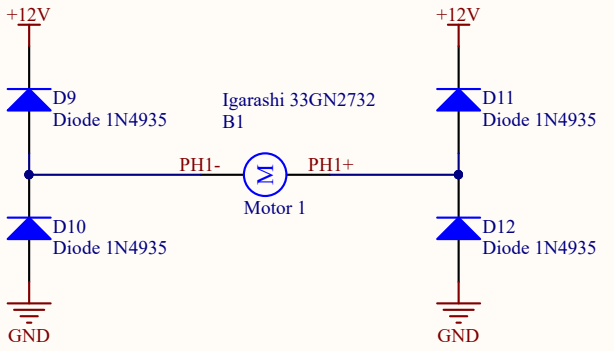
Title ME218B Winter 2017 - Hall Sensor, Project		
Size A	Number	Revision 2
Date: 3/12/2017	Sheet of	
File: C:\Users\...\Hall.SchDoc	Drawn By:	Iskender Kushan (Team 4)



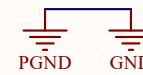
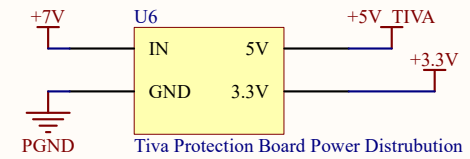
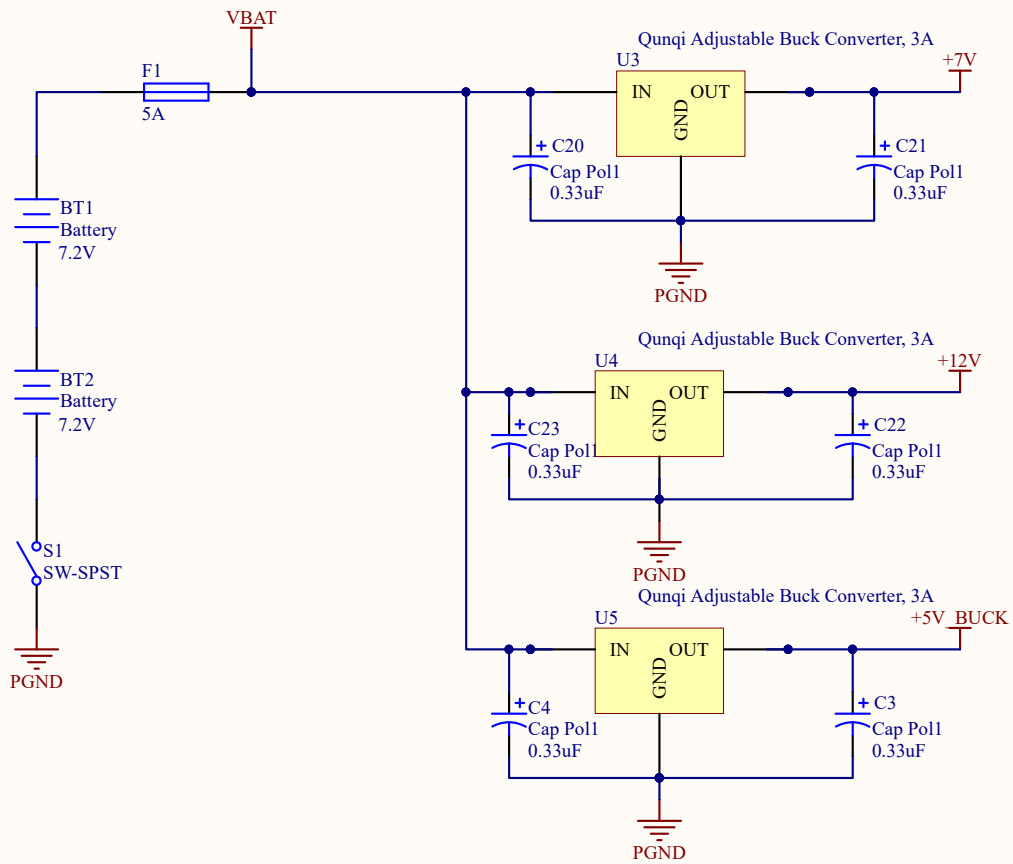
Title ME218B Winter 2017 - LEDs, Project		
Size A	Number	Revision 2
Date: 3/12/2017	Sheet of	
File: C:\Users\...\LEDs.SchDoc	Drawn By: Iskender Kushan (Team 4)	



Notes:  
 Qunqi L298N H-Bridge Module with internal protection diodes was used.

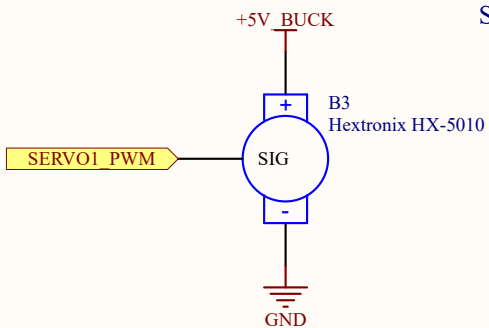


Title ME218B Winter 2017 - Drive/Break DC Motor Driver with L293NE, Project		
Size A	Number	Revision 2
Date: 3/12/2017	Sheet of	
File: C:\Users\...\Motors.SchDoc	Drawn By: Iskender Kushan (Team 4)	

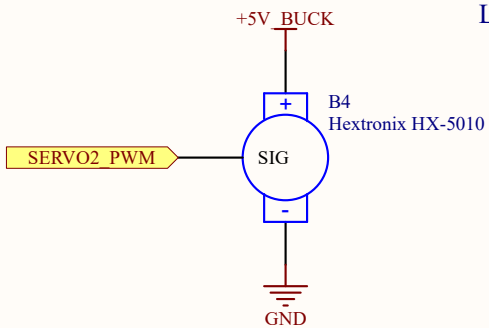


Title ME218B Winter 2017 - Power Distribution, Project		
Size A	Number	Revision 2
Date: 3/12/2017	Sheet of	
File: C:\Users\...\Power.SchDoc	Drawn By:	Iskender Kushan (Team 4)

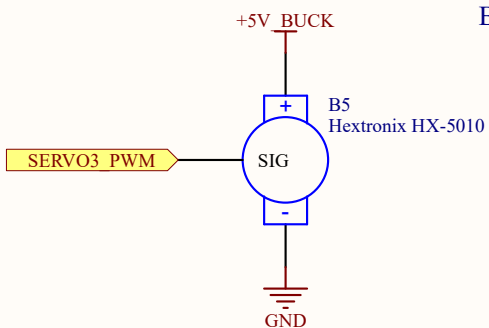
### Spring Servo



### Latch Servo



### Ball Servo

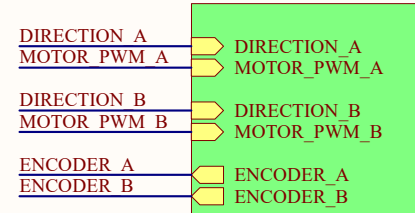


Title ME218B Winter 2017 - Servos, Project		
Size A	Number	Revision 2
Date: 3/12/2017	Sheet of	Drawn By: Iskender Kushan (Team 4)
File: C:\Users\...\Servo.SchDoc		

U\_Power  
Power.SchDoc



U\_Motors  
Motors.SchDoc



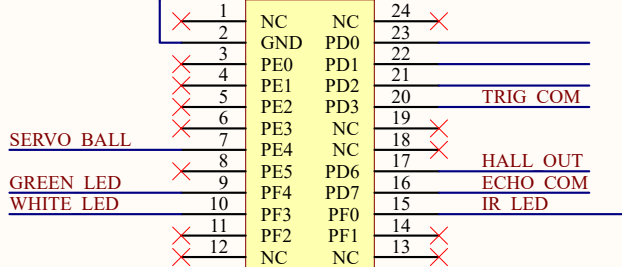
U\_LEDs  
LEds.SchDoc



GND

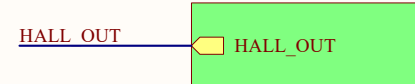


J1

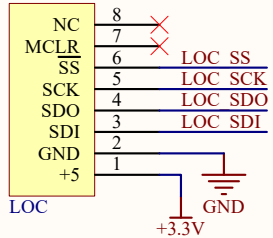


Tiva\_24

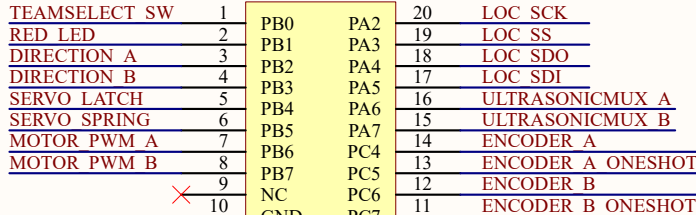
U\_Hall  
Hall.SchDoc



U999



J2

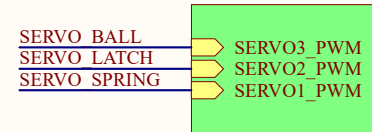


Tiva\_20

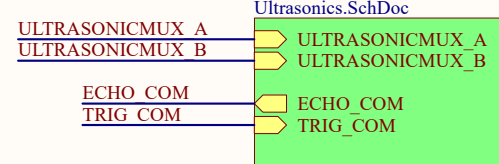
GND



U\_Servo  
Servo.SchDoc



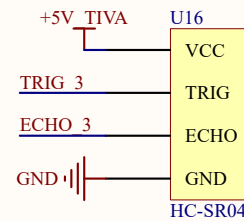
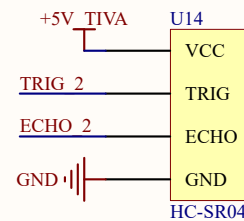
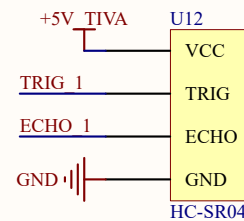
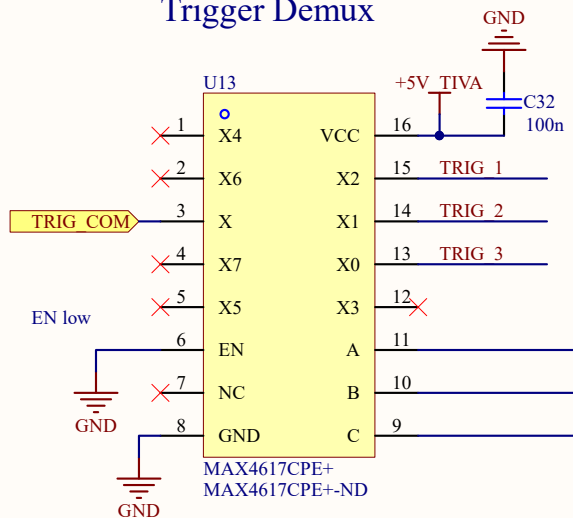
U\_Ultrasonics  
Ultrasonics.SchDoc



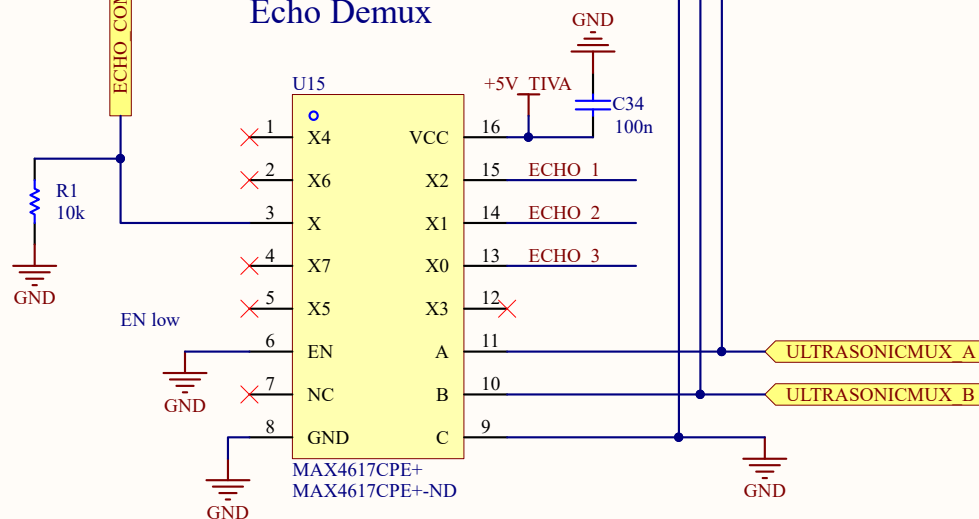
Title ME218B Winter 2017 - Top Schematic, Project		
Size A	Number	Revision 2
Date: 3/12/2017	Sheet of	
File: C:\Users\...\Tiva.SchDoc	Drawn By:	Iskender Kushan (Team 4)

ENABLE INPUT	SELECT INPUTS			MAX4617
	C*	B	A	
H	X	X	X	All switches open
L	L	L	L	X-X0
L	L	L	H	X-X1
L	L	H	L	X-X2

### Trigger Demux



### Echo Demux



Title ME218B Winter 2017 - Ultrasonic Sensors, Project		
Size A	Number	Revision 2
Date: 3/12/2017	Sheet of	
File: C:\Users\...\Ultrasonics.SchDoc	Drawn By: Iskender Kushan (Team 4)	